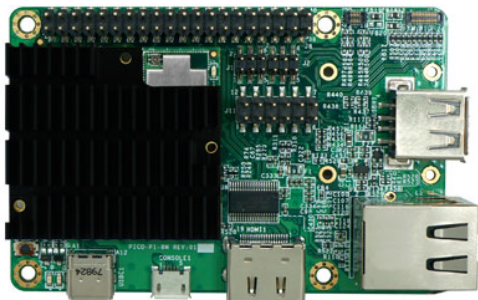


PICO-PI-IMX8M



Main Features

- TechNexion PICO-PI-IMX8M evaluation kits, based on NXP i.MX8M (ARM Cortex A-53 + M4 architecture), introduce groundbreaking functionality to a wide spectrum of next-generation devices.
- The development kit's features include high-performance compute, advance video processing, power efficiency, and embedded security.
- PICO-PI-IMX8M brings new capabilities to your next-gen smart designs, as well as other compute-intensive use cases, such as industrial controls, building automation, machine vision, imaging and scanning.
- Software source code at your fingertips: Android, Linux, Yocto and Ubuntu.



Specifications

Core System

Processor	NXP i.MX8M Quad
Processor Speed	1.3GHz
Architecture	ARM Cortex-A53 + M4
PMIC	ROHM BD71837
Memory	up to 4GB LPDDR4
Storage	16GB eMMC
Board-to-Board Connector	PICO 70-pin Hirose connectors
System on Module	PICO SOM
Debug Interface	Micro USB debug

Connectivity

Network LAN	1x Atheros AR8031 Gigabit LAN
Wi-Fi/Bluetooth	Qualcomm QCA9377 (optional) 802.11 a/b/g/n/ac + BT 5 (BR+EDR+BLE)
Antenna	MHF4 connector (optional)

Internal Headers

Internal Display	MIPI CSI+DSI signals on FPC connectors
Expansion Headers	GPIO I ² C I ² S PWM SPI UART

External Connectors

External Display	1x HDMI
Network	1x RJ45
USB	1x USB 2.0 Host 1x USB 2.0 OTG (Type-C)
Buttons	1x Reset

Video

Graphic Engine	Vivante GC7000Lite
Video Decode	4K UltraHD HDR 4Kp60 H.265 VP9
Camera	MIPI CSI (4 lanes)

Audio

Audio Interface	I ² S (2 channel)
-----------------	------------------------------

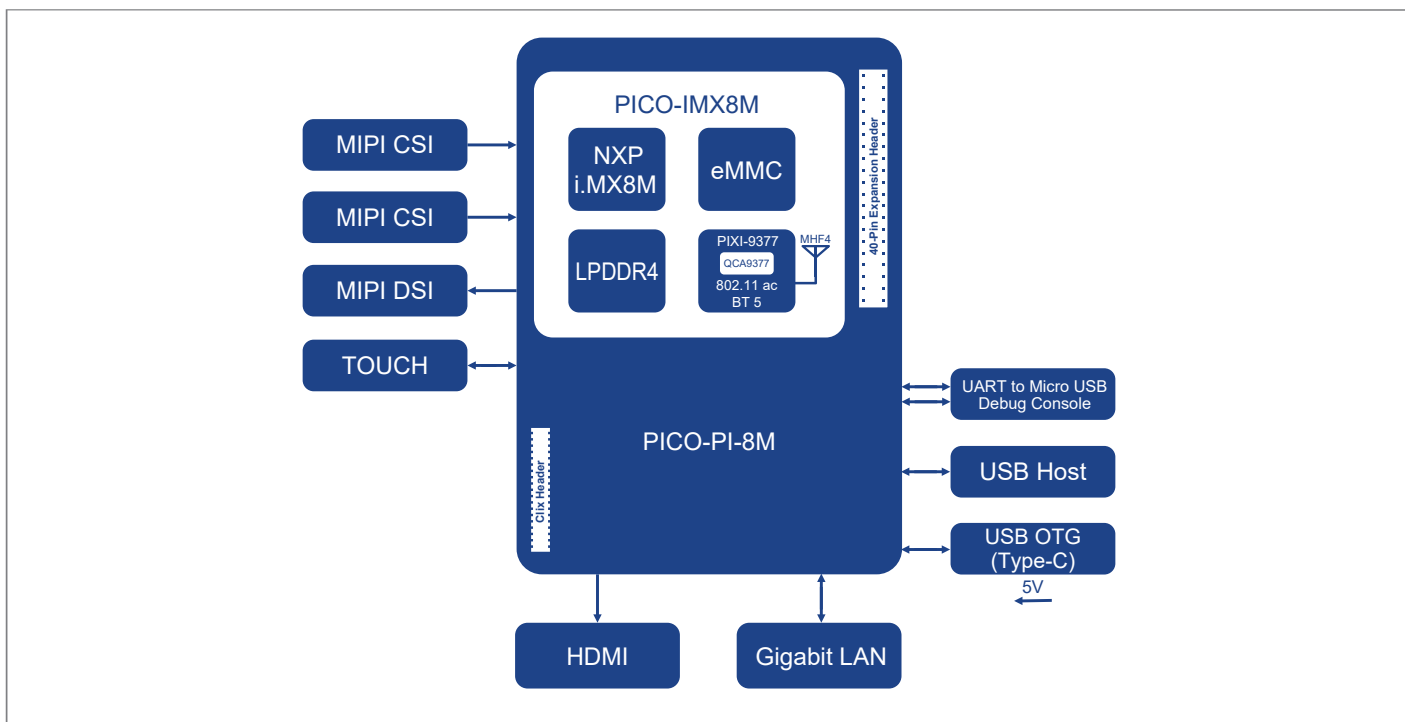
Power Specifications

Power Consumption	Depending on Configuration
-------------------	----------------------------

Operation Systems

Standard Support	Linux Yocto Ubuntu Android
------------------	-------------------------------------

Block Diagram

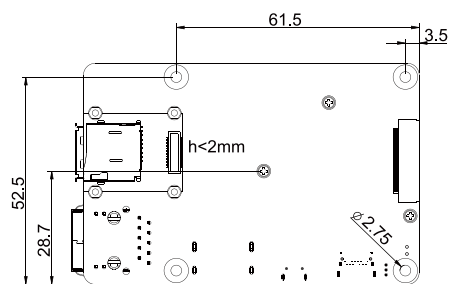
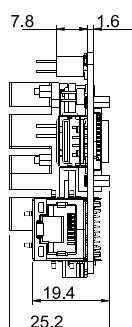
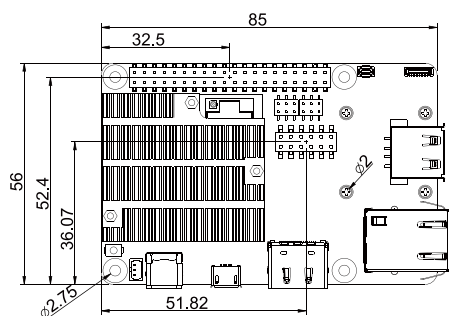


Environmental and Mechanical

Dimensions	85 (W) x 56 (H) x 25 (D) mm
Weight	70 grams
Temperature	Commercial: 0° to +50° C
Relative Humidity	10 to 90 %
MTBF	50 000 Hours
Shock	15G half-sine 11 ms duration
Vibration	1 Grms random 5-500Hz hr/axis
Certification	Compliant with CE / FCC / RoHS / REACH directives

Dimensions

(units in mm)



Ordering Information

PICO-PI-IMX8M-1G

NXP i.MX8M Quad Development Board with 1GB LPDDR4, 16GB eMMC and Wi-Fi + BT wireless connectivity including antenna and cable set.



PICO-PI-IMX8M-2G

NXP i.MX8M Quad Development Board with 2GB LPDDR4, 16GB eMMC and Wi-Fi + BT wireless connectivity including antenna and cable set.



PICO-PI-IMX8M-4G-DEV

NXP i.MX8M Quad Development Board with 4GB LPDDR4, 16GB eMMC and Wi-Fi + BT wireless connectivity including antenna, camera module, 5 inch PCAP display, cable set and cardboard stand.

